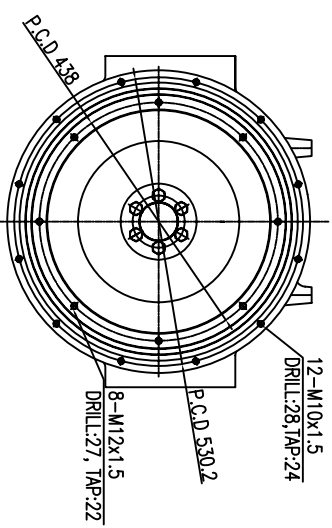


DETAIL POWER TRAIN
FLY WHEEL : CLUTCH No.14
FLY WHEEL HOUSING : SAE No.1



| | | |
|----|----|----|
| 3 | 21 | 31 |
| 30 | 30 | 30 |

| | | |
|--|---------|----------------------------|
| PART NO. | PU08611 | ENGINE ASSY FOR POWER UNIT |
| REVISION | | |
| DATE | | |
| BY | | |
| CHECKED | | |
| APPROVED | | |
| Daejeon Infraco Co., Ltd. INCHON KOREA | | |